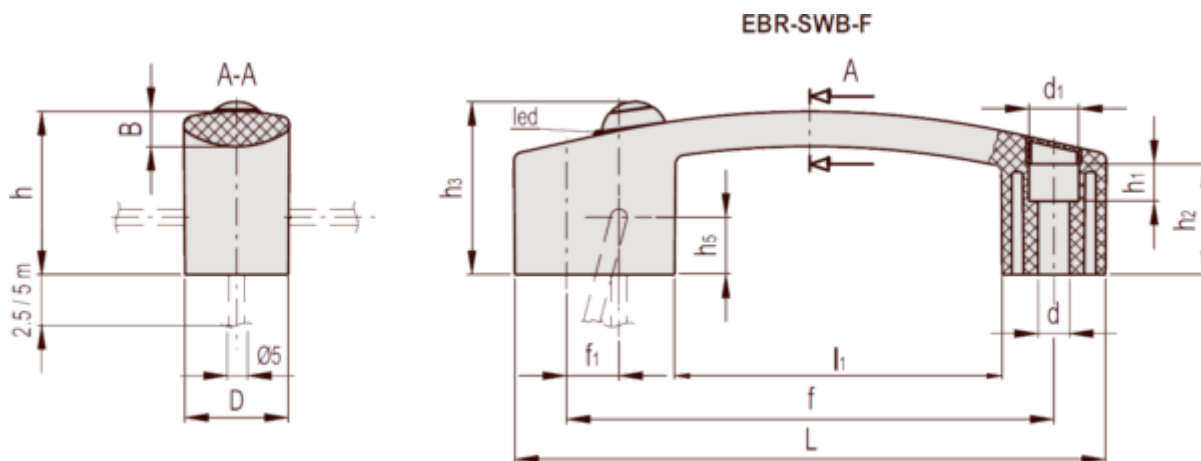


Article number: 2304260596C1

Description: E+G EBR.150-SWB-R-F2,5

## Measures



B	= 8.5	h	= 44	L2 (J)	= -
d	= 8.5	h1	= 10	Weight in (g)	= 220
D	= 28	h2	= 30		
d1	= 13.5	h3	= 47		
f	= 132±0.5	h5	= 13		
f1	= 16	l1	= 89		
F1 (N)	= -	L	= 160		
F2 (N)	= -	L1 (J)	= -		